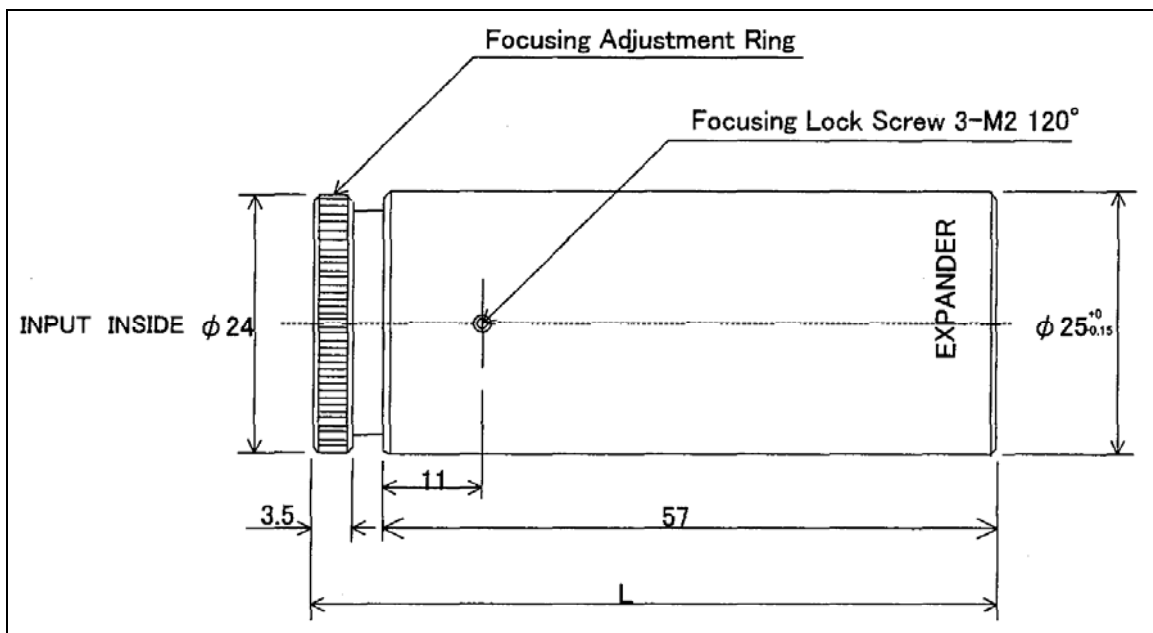




## Model EXP1064 1064nm Fixed Ratio Beam Expander with Focus

### GEOMATEC Scan Optics

Designed for High Performance Laser System Applications based on 1064, 532 and 355nm Wavelengths, GEOMATEC Scan Optics offer the laser system integrator superior performance, high quality and excellent uniformity from unit to unit, in one of the smallest packages found in the industry. GEOMATEC's high quality coatings and meticulous manufacturing and quality standards produce a highly reliable unit you can depend on for your laser system.



Model # EXP1064 Fixed Ratio Beam Expander for 1064nm with Focus Control

Ratio	Input Beam	Output Beam	Length (L)	Damage Threshold	Transmittance
1.5X	8.0	12.0	63.8	10MW/cm <sup>2</sup> (10nS)	≥96%
2X	8.5	17.0	62.3	10MW/cm <sup>2</sup> (10nS)	≥96%
3X	6.0	18.0	62.4	10MW/cm <sup>2</sup> (10nS)	≥96%
4X	5.0	20.0	63.6	10MW/cm <sup>2</sup> (10nS)	≥96%
6X	3.0	18.0	63.5	10MW/cm <sup>2</sup> (10nS)	≥96%
8X	2.0	16.0	63.8	10MW/cm <sup>2</sup> (10nS)	≥96%
10X	1.8	18.0	64.8	10MW/cm <sup>2</sup> (10nS)	≥96%

The Model EXP1064 is available in seven convenient expansion ratios, please specify the desired expansion ratio on inquiry and order placement. All dimensions in millimeters unless specified otherwise. All specifications subject to change without notice.