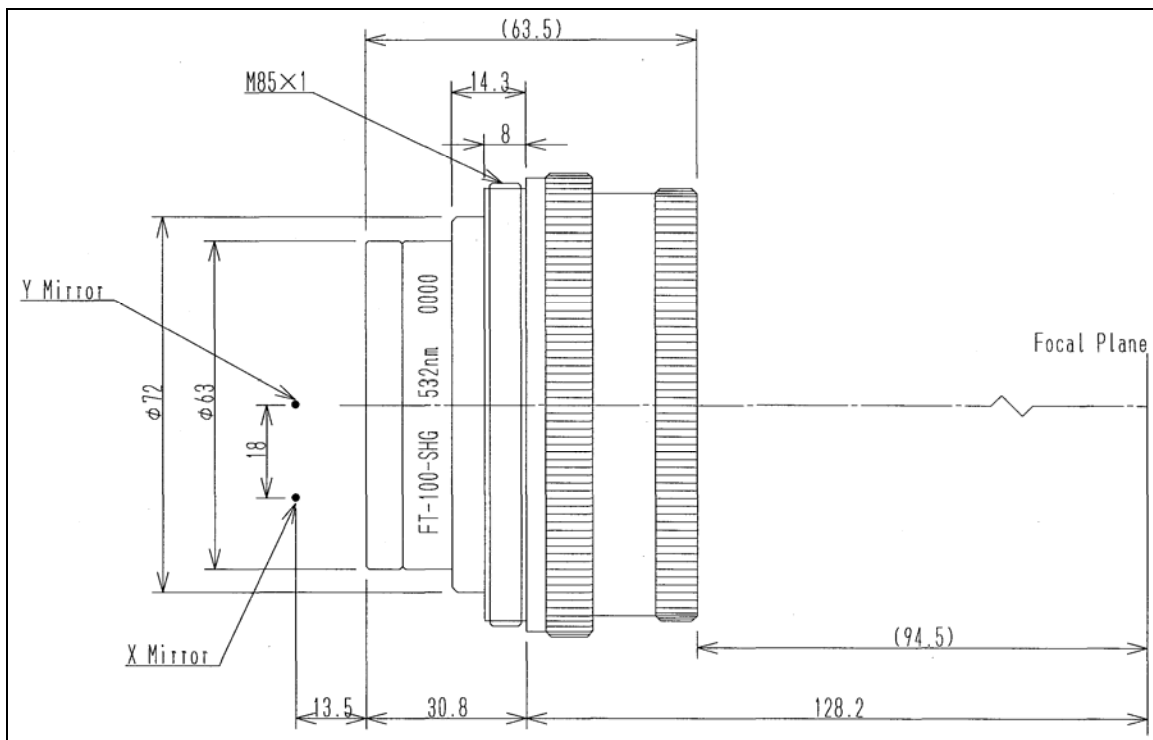




Model FT-100SHG – 100mm f-theta Scanning Lens for 532nm

GEOMATEC Scan Optics

Designed for High Performance Laser System Applications based on 1064, 532 and 355nm Wavelengths, GEOMATEC Scan Optics offer the laser system integrator superior performance, high quality and excellent uniformity from unit to unit, in some of the smallest packages found in the industry. GEOMATEC's high quality coatings and meticulous manufacturing and quality standards produce robust, highly reliable units you can depend on for your laser system.



Model #	FT-100SHG
Wavelength:	532nm
Focal Length:	101.2mm
Scanning Area:	80mm \varnothing
Entrance Pupil:	12mm \varnothing
Spot Size:	8.5 μ m \varnothing
Scan Angle:	+/-22.68°
Mechanical Back:	94.5mm
Transmittance:	\geq 95%

All dimensions in millimeters unless specified otherwise.
All specifications subject to change without notice.